

TRAFFIC CRASH REPORT

*DENOTES MANDATORY FIELD FOR SUPPLEMENT REPORT

LOCAL REPORT NUMBER *

2 | 0 | 2 | 1 | 2 | 5 | 4 | 2 |

PHOTOS TAKEN OH-2 OH-3
 SECONDARY CRASH OH-1P OTHER
 Private Property

LOCAL INFORMATION
 REPORTING AGENCY NAME *
GARFIELD HEIGHTS NCIC *
 0 | 1 | 8 | 2 | 0 |

HIT/SKIP
 1 - Solved
 2 - Unsolved
 NUMBER OF UNITS
 0 | 2 |
 UNIT IN ERROR
 98 - ANIMAL
 99 - UNKNOWN
 0 | 1 |

COUNTY *
 1 | 8 |
 LOCALITY *
 1 |

LOCATION: CITY, VILLAGE, TOWNSHIP *
GARFIELD HTS

CRASH DATE/TIME *
 0 | 9 | 0 | 7 | 2 | 0 | 2 | 1 | 1 | 5 | 1 | 4 |

CRASH SEVERITY
 1 - FATAL
 2 - SERIOUS INJURY SUSPECTED
 3 - MINOR INJURY SUSPECTED
 4 - INJURY POSSIBLE
 5 - PROPERTY DAMAGE ONLY
4

ROUTE TYPE []	ROUTE NUMBER []	PREFIX 3	1 - NORTH 2 - SOUTH 3 - EAST 4 - WEST	LOCATION ROAD NAME 126 Th	ROAD TYPE S T	LATITUDE DECIMAL DEGREES 4 1 . 4 1 7 8 7
ROUTE TYPE S R	ROUTE NUMBER 1 7 	PREFIX []	1 - NORTH 2 - SOUTH 3 - EAST 4 - WEST	REFERENCE ROAD NAME (ROAD, MILEPOST, HOUSE #) Granger	ROAD TYPE R D	LONGITUDE DECIMAL DEGREES 8 1 . 5 9 5 7 2

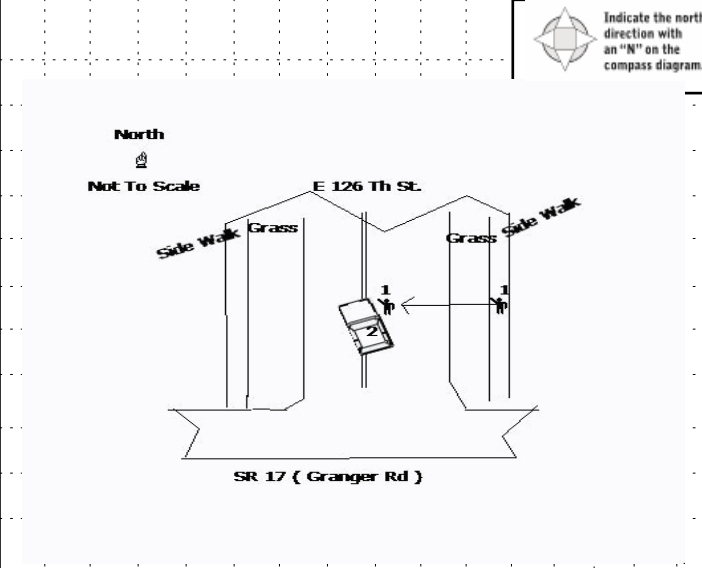
REFERENCE POINT 1 - INTERSECTION 2 - MILE POST 3 - HOUSE # 1	DIRECTION 1 - NORTH 2 - SOUTH 3 - EAST 4 - WEST 1	ROUTE TYPE IR - INTERSTATE ROUTE (TP) US - FEDERAL US ROUTE SR - STATE ROUTE CR - NUMBERED COUNTY ROUTE TR - NUMBERED TOWNSHIP ROUTE	ROAD TYPE AL - ALLEY AV - AVENUE BL - BOULEVARD CR - CIRCLE CT - COURT DR - DRIVE HE - HEIGHTS HW - HIGHWAY LA - LANE MP - MILEPOST OV - OVAL PK - PARKWAY PI - PIKE PL - PLACE RD - ROAD SQ - SQUARE ST - STREET TE - TERRACE TL - TRAIL WA - WAY	INTERSECTION RELATED <input type="checkbox"/> WITHIN INTERSECTION OR ON APPROACH <input type="checkbox"/> WITHIN INTERCHANGE AREA NUMBER OF APPROACHES [] ROADWAY <input type="checkbox"/> ROADWAY DIVIDED
DISTANCE FROM REFERENCE 2 0 0 	DISTANCE UNIT OF MEASURE 1 - Miles 2 - Feet 3 - Yards 2			

LOCATION OF FIRST HARMFUL EVENT 0 1 1 - ON ROADWAY 2 - ON SHOULDER 3 - IN MEDIAN 4 - ON ROADSIDE 5 - ON GORE 6 - OUTSIDE TRAFFICWAY 7 - ON RAMP 8 - OFF RAMP 9 - CROSSOVER 10 - DRIVEWAY / ALLEY ACCESS 11 - RAILWAY GRADE CROSSING 12 - SHARED USE PATHS OR TRAILS 13 - BIKE LANE 14 - TOLL BOOTH 99 - OTHER / UNKNOWN	MANNER OF CRASH COLLISION/IMPACT 1 1 - NOT COLLISION BETWEEN TWO MOTOR VEHICLES IN TRANSPORT 2 - REAR-END 3 - HEAD-ON 4 - REAR-TO-REAR 5 - BACKING 6 - ANGLE 7 - SIDESWIPE, SAME DIRECTION 8 - SIDESWIPE, OPPOSITE DIRECTION 9 - OTHER / UNKNOWN	DIRECTION OF TRAVEL 1 - NORTH 2 - SOUTH 3 - EAST 4 - WEST []	MEDIAN TYPE 1 - DIVIDED FLUSH MEDIAN (<4 FEET) 2 - DIVIDED FLUSH MEDIAN (≥4 FEET) 3 - DIVIDED, DEPRESSION MEDIAN (ANY TYPE) 4 - DIVIDED, RAISED MEDIAN (ANY TYPE) 9 - OTHER / UNKNOWN []
--	---	--	---

<input type="checkbox"/> WORK ZONE RELATED <input type="checkbox"/> WORKERS PRESENT <input type="checkbox"/> LAW ENFORCEMENT PRESENT <input type="checkbox"/> ACTIVE SCHOOL ZONE	WORK ZONE TYPE 1 - LANE CLOSURE 2 - LANE SHIFT/CROSSOVER 3 - WORK ON SHOULDER OR MEDIAN 4 - INTERMITTENT OR MOVING WORK 5 - OTHER []	LOCATION OF CRASH IN WORK ZONE 1 - BEFORE THE 1ST WORK ZONE WARNING SIGN 2 - ADVANCE WARNING AREA 3 - TRANSITION AREA 4 - ACTIVITY AREA 5 - TERMINATION AREA []	CONTOUR 1 1 - STRAIGHT LEVEL 2 - STRAIGHT GRADE 3 - CURVE LEVEL 4 - CURVE GRADE 9 - OTHER / UNKNOWN	CONDITIONS 1 1 - DRY 2 - WET 3 - SNOW 4 - ICE 5 - SAND, MUD, DIRT, OIL, GRAVEL 6 - WATER (STANDING, MOVING) 7 - SLUSH 9 - OTHER/UNKNOWN	SURFACE 1 1 - CONCRETE 2 - BLACKTOP, BITUMINOUS, ASPHALT 3 - BRICK/BLOCK 4 - SLAG, GRAVEL, STONE 5 - DIRT 9 - OTHER / UNKNOWN
---	---	--	--	---	---

LIGHT CONDITION 1 1 - DAYLIGHT 2 - DAWN/DUSK 3 - DARK - LIGHTED ROADWAY 4 - DARK - ROADWAY NOT LIGHTED 5 - DARK - UNKNOWN ROADWAY LIGHTING 9 - OTHER / UNKNOWN	WEATHER 2 1 - CLEAR 2 - CLOUDY 3 - FOG, SMOG, SMOKE 4 - RAIN 5 - SLEET, HAIL 6 - SNOW 7 - SEVERE CROSSWINDS 8 - BLOWING SAND, SOIL, DIRT, SNOW 9 - FREEZING RAIN OR FREEZING DRIZZLE 99 - OTHER / UNKNOWN
--	---

NARRATIVE
 UNIT # 1 WAS ON THE EAST SIDE OF E 126 TH ST. APPROXIMATELY 200' NORTH OF SR 17 (GRANGER RD.). UNIT # 2 WAS TRAVELING NORTH ON E 126 TH ST. APPROXIMATELY 200' NORTH OF SR 17 (GRANGER RD.). UNIT # 1 RAN WESTWARD ACROSS E 126 TH ST. UNIT # 2 TOOK EVASIVE ACTION TO THE LEFT. AS A RESULT, THE RIGHT SIDE OF UNIT # 2 COLLIDED WITH THE LEFT SIDE / FOOT OF UNIT # 1. BOTH UNITS WERE MOVED FROM FINAL REST PRIOR TO ARRIVAL.
 NOTE: THE MOTHER OF UNIT # 1 (JUVENILE) RESPONDED TO THE SCENE. BWC



CRASH REPORTED DATE/TIME 0 9 0 7 2 0 2 1 1 5 1 4	DISPATCH DATE/TIME 0 9 0 7 2 0 2 1 1 5 1 4	ARRIVAL DATE/TIME 0 9 0 7 2 0 2 1 1 5 1 8	SCENE CLEARED DATE/TIME 0 9 0 7 2 0 2 1 1 6 1 5	REPORT TAKEN BY <input checked="" type="checkbox"/> POLICE AGENCY <input type="checkbox"/> MOTORIST
TOTAL TIME ROADWAY CLOSED 0	OTHER INVESTIGATION TIME 0	TOTAL MINUTES 5 7	OFFICER'S NAME * R. Cramer	CHECKED BY OFFICER'S NAME * N. Rossi
			OFFICER'S BADGE NUMBER * 0 3 7	CHECKED BY OFFICER'S BADGE NUMBER * S 1 3

OWNER

UNIT # 01 OWNER NAME: LAST, FIRST, MIDDLE () Same As Driver OWNER PHONE: INCLUDE AREA CODE () Same As Driver

OWNER ADDRESS: STREET, CITY, STATE, ZIP () Same As Driver

COMMERCIAL CARRIER: NAME, ADDRESS, CITY, STATE, ZIP COMMERCIAL CARRIER PHONE: INCLUDE AREA CODE

DAMAGE

DAMAGE SCALE

1 1 - NONE 3 - FUNCTIONAL DAMAGE
2 - MINOR DAMAGE 4 - DISABLING DAMAGE
9 - UNKNOWN

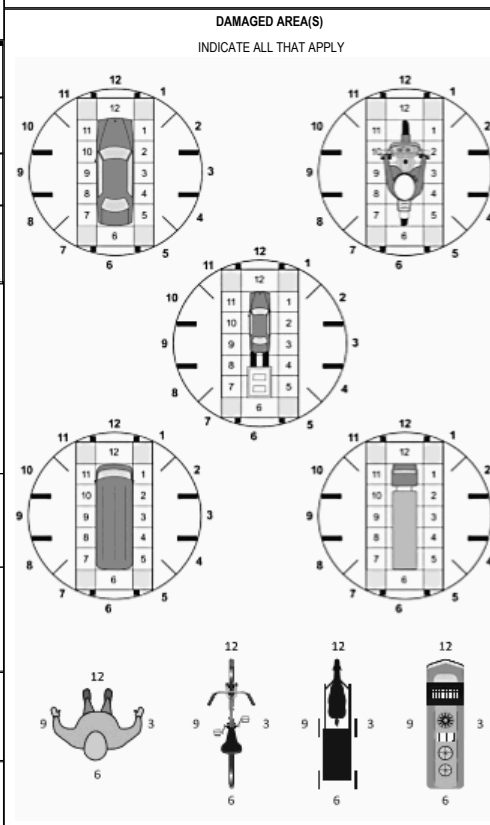
VEHICLE

LP STATE _____ LICENSE PLATE # _____ VEHICLE IDENTIFICATION # _____ VEHICLE YEAR _____ VEHICLE MAKE _____

INSURANCE VERIFIED INSURANCE COMPANY _____ INSURANCE POLICY # _____ VEHICLE COLOR _____ VEHICLE MODEL _____

COMMERCIAL GOVERNMENT IN EMERGENCY RESPONSE US DOT # _____ TOWED BY: COMPANY NAME _____

INTERLOCK DEVICE EQUIPPED HIT/SKIP UNIT # OCCUPANTS _____ VEHICLE WEIGHT GVWR/GCWR _____ HAZARDOUS MATERIAL CLASS # PLACARD ID # _____
1 - ≤10K LBS. 2 - 10,001 - 26K LBS. 3 - >26K LBS. MATERIAL RELEASED PLACARD



UNIT TYPE 23

1 - PASSENGER CAR 7 - MOTORCYCLE 2-WHEELED 12 - GOLF CART 18 - LIMO (LIVERY VEHICLE) 23 - PEDESTRIAN/SKATER
2 - PASSENGER VAN (MINIVAN) 8 - MOTORCYCLE 3-WHEELED 13 - SNOWMOBILE 19 - BUS (16+ PASSENGERS) 24 - WHEELCHAIR (ANY TYPE)
3 - SPORT UTILITY VEHICLE 9 - AUTOCYCLE 14 - SINGLE UNIT TRUCK 20 - OTHER VEHICLE 25 - OTHER NON-MOTORIST
4 - PICK UP 10 - MOPED OR MOTORIZED BICYCLE 15 - SEMI-TRACTOR 21 - HEAVY EQUIPMENT 26 - BICYCLE
5 - CARGO VAN 11 - ALL TERRAIN VEHICLE (ATV / UTV) 16 - FARM EQUIPMENT 22 - ANIMAL WITH RIDER OR ANIMAL-DRAWN VEHICLE 27 - TRAIN
6 - VAN (9-15 SEATS) 17 - MOTORHOME

of TRAILING UNITS _____

WAS VEHICLE OPERATING IN AUTONOMOUS MODE WHEN CRASH OCCURRED? 0 - NO AUTOMATION 1 - DRIVER ASSISTANCE 2 - PARTIAL AUTOMATION 3 - CONDITIONAL AUTOMATION 4 - HIGH AUTOMATION 5 - FULL AUTOMATION 9 - UNKNOWN

AUTONOMOUS MODE LEVEL

SPECIAL FUNCTION 1 - NONE 2 - TAXI 3 - ELECTRONIC RIDE SHARING 4 - SCHOOL TRANSPORT 5 - BUS-TRANSIT/COMMUTER 6 - BUS - CHARTER/TOUR 7 - BUS - INTERCITY 8 - BUS - SHUTTLE 9 - BUS - OTHER 10 - AMBULANCE 11 - FIRE 12 - MILITARY 13 - POLICE 14 - PUBLIC UTILITY 15 - CONSTRUCTION EQUIPMENT 16 - FARM 17 - MOWING 18 - SNOW REMOVAL 19 - TOWING 20 - SAFETY SERVICE PATROL 21 - MAIL CARRIER 22 - OTHER /UNKNOWN N

CARGO BODY TYPE 1 - NO CARGO BODY TYPE / NOT APPLICABLE 2 - BUS 3 - VEHICLE TOWING ANOTHER MOTOR VEHICLE 4 - LOGGING 5 - INTERMODAL CONTAINER CHASSIS 6 - CARGO VAN/ENCLOSED BOX 7 - GRAIN/CHIPS/GRAVEL 8 - POLE 9 - CARGO TANK 10 - FLAT BED 11 - DUMP 12 - CONCRETE MIXER 13 - AUTO TRANSPORTER 14 - GARBAGE/REFUSE 99 - OTHER / UNKNOWN

VEHICLE DEFECTS 1 - TURN SIGNALS 2 - HEAD LAMPS 3 - TAIL LAMPS 4 - BRAKES 5 - STEERING 6 - TIRE BLOWOUT 7 - WORN OR SLICK TIRES 8 - TRAILER EQUIPMENT DEFECTIVE 9 - MOTOR TROUBLE 10 - DISABLED FROM PRIOR ACCIDENT 99 - OTHER / UNKNOWN

NON-MOTORIST LOCATION AT IMPACT 99 1 - INTERSECTION - MARKED CROSSWALK 2 - INTERSECTION - UNMARKED 3 - INTERSECTION - OTHER 4 - MIDDLEBLOCK - MARKED CROSSWALK 5 - TRAVEL LANE-OTHER LOCATION 6 - BICYCLE LANE 7 - SHOULDER/ROADSIDE 8 - SIDEWALK 9 - MEDIAN/CROSSING ISLAND 10 - DRIVEWAY ACCESS 11 - SHARED USE PATHS OR TRAILS 12 - FIRST RESPONDER AT INCIDENT SCENE 99 - OTHER / UNKNOWN

ACTION 4 PRE-CRASH ACTION 15 1 - NON-COLLISION 2 - NON-COLLISION 3 - STRIKING 4 - STRUCK 5 - BOTH STRIKING & STRUCK 9 - OTHER / UNKNOWN 1 - STRAIGHT AHEAD 2 - BACKING 3 - CHANGING LANES 4 - OVERTAKING/PASSING 5 - MAKING RIGHT TURN 6 - MAKING LEFT TURN 7 - MAKING U-TURN 8 - ENTERING TRAFFIC LANE 9 - LEAVING TRAFFIC LANE 10 - PARKED 11 - SLOWING OR STOPPED IN TRAFFIC 12 - DRIVERLESS 13 - NEGOTIATING A CURVE 14 - ENTERING OR CROSSING SPECIFIED LOCATION 15 - WALKING, RUNNING, JOGGING, PLAYING 16 - WORKING 17 - PUSHING VEHICLE 18 - APPROACHING OR LEAVING VEHICLE 19 - STANDING 20 - OTHER NON-MOTORIST 21 - STANDING OUTSIDE DISABLED VEHICLE 99 - OTHER / UNKNOWN

INITIAL POINT OF CONTACT

09 0 - NO DAMAGE 14 - UNDERCARRIAGE 15 - VEHICLE NOT AT SCENE
1-12 - REFER TO UNIT DIAGRAM 99 - UNKNOWN

CONTRIBUTING CIRCUMSTANCES 99 1 - NONE 2 - FAILURE TO YIELD 3 - RAN RED LIGHT 4 - RAN STOP SIGN 5 - UNSAFE SPEED 6 - IMPROPER TURN 7 - LEFT OF CENTER 8 - FOLLOWING TOO CLOSE/ACDA 9 - IMPROPER LANE CHANGING 10 - IMPROPER PASSING 11 - DROVE OFF ROAD 12 - IMPROPER BACKING 13 - IMPROPER START FROM A PARKED POSITION 14 - STOPPED OR PARKED ILLEGALLY 15 - SWERVING TO AVOID 16 - WRONG WAY 17 - VISION OBSTRUCTION 18 - OPERATING DEFECTIVE EQUIPMENT 19 - LOAD SHIFTING/ FALLING/SPILLING 20 - IMPROPER CROSSING 21 - LYING IN ROADWAY 22 - NOT DISCERNABLE 23 - OPENING DOOR INTO ROADWAY 99 - OTHER IMPROPER ACTION

TRAFFIC

TRAFFICWAY FLOW 2 1 - ONE-WAY 2 - TWO-WAY

TRAFFIC CONTROL 6 1 - ROUNDABOUT 2 - SIGNAL 3 - FLASHER 4 - STOP SIGN 5 - YIELD SIGN 6 - NO CONTROL

of THROUGH LANES ON ROAD 2

RAIL GRADE CROSSING 1 1 - NOT INVOLVED 2 - INVOLVED - ACTIVE CROSSING 3 - INVOLVED - PASSIVE CROSSING

EVENT(S)

SEQUENCE OF EVENTS

1 20 1 - OVERTURN/ROLLOVER 2 - FIRE/EXPLOSION 3 - IMMERSION 4 - JACKKNIFE 5 - CARGO / EQUIPMENT LOSS OR SHIFT 6 - EQUIPMENT FAILURE 7 - SEPARATION OF UNITS 8 - RAN OFF ROAD RIGHT 9 - RAN OFF ROAD LEFT 10 - CROSS MEDIAN 11 - CROSS CENTERLINE - OPPOSITE DIRECTION OF TRAVEL 12 - DOWNHILL RUNAWAY 13 - OTHER NON-COLLISION 14 - PEDESTRIAN 15 - PEDALCYCLE 16 - RAILWAY VEHICLE 17 - ANIMAL - FARM 18 - ANIMAL - DEER 19 - ANIMAL - OTHER 20 - MOTOR VEHICLE IN TRANSPORT 21 - PARKED MOTOR VEHICLE 22 - WORK ZONE MAINTENANCE EQUIPMENT 23 - STRUCK BY FALLING, SHIFTING CARGO OR ANYTHING SET IN MOTION BY A MOTOR VEHICLE 24 - OTHER MOVABLE

COLLISION with FIXED OBJECT - STRUCK

25 - IMPACT ATTENUATOR / CRASH CUSHION 26 - BRIDGE OVERHEAD STRUCTURE 27 - BRIDGE PIER OR ABUTMENT 28 - BRIDGE PARAPET 29 - BRIDGE RAIL 30 - GUARDRAIL FACE 31 - GUARDRAIL END 32 - PORTABLE BARRIER 33 - MEDIAN CABLE BARRIER 34 - MEDIAN GUARDRAIL BARRIER 35 - MEDIAN CONCRETE BARRIER 36 - MEDIAN OTHER BARRIER 37 - TRAFFIC SIGN POST 38 - OVERHEAD SIGN POST 39 - LIGHT/LUMINARIES SUPPORT 40 - UTILITY POLE 41 - OTHER POST, POLE OR SUPPORT 42 - CULVERT 43 - CURB 44 - DITCH 45 - EMBANKMENT 46 - FENCE 47 - MAILBOX 48 - TREE 49 - FIRE HYDRANT 50 - WORKZONE MAINTENANCE EQUIPMENT 51 - WALL 52 - BUILDING 53 - TUNNEL 54 - OTHER FIXED OBJECT 99 - OTHER / UNKNOWN

FIRST HARMFUL EVENT 1 MOST HARMFUL EVENT 1

UNIT / NON-MOTORIST DIRECTION

FROM 3 TO 4 1 - NORTH 2 - SOUTH 3 - EAST 4 - WEST 5 - NORTHEAST 6 - NORTHWEST 7 - SOUTHEAST 8 - SOUTHWEST

UNIT SPEED _____ POSTED SPEED 25

DETECTED SPEED 3 1 - STATED/ESTIMATED SPEED 2 - CALCULATED / EDR 3 - UNDETERMINED

2 0 2 1 2 5 4 2

UNIT # 0 2 **OWNER NAME: LAST, FIRST, MIDDLE** (Same As Driver) **MONDAY ANGELO** **OWNER PHONE: INCLUDE AREA CODE** (Same As Driver)

OWNER ADDRESS: STREET, CITY, STATE, ZIP (Same As Driver) **3409 E 147TH ST APT CLEVELAND OH 44120** **COMMERCIAL CARRIER: NAME, ADDRESS, CITY, STATE, ZIP** **COMMERCIAL CARRIER PHONE: INCLUDE AREA CODE**

DAMAGE

DAMAGE SCALE

1 - NONE
2 - MINOR DAMAGE
3 - FUNCTIONAL DAMAGE
4 - DISABLING DAMAGE
9 - UNKNOWN

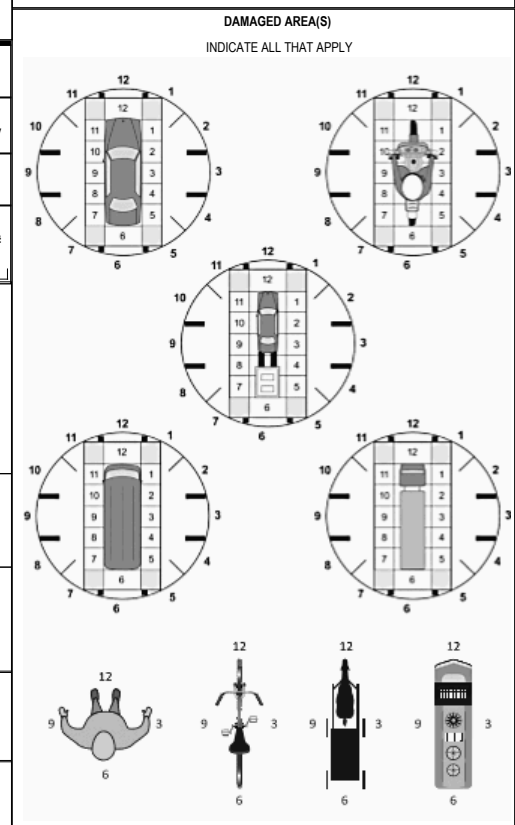
1

LP STATE OH **LICENSE PLATE #** PMC7435 **VEHICLE IDENTIFICATION #** 1GCEK14C918Z134121 **VEHICLE YEAR** 2008 **VEHICLE MAKE** Chevrolet

INSURANCE VERIFIED **INSURANCE COMPANY** State Farm **INSURANCE POLICY #** D280069B9535 **VEHICLE COLOR** WHI **VEHICLE MODEL** Other/Unknow

TYPE OF USE COMMERCIAL GOVERNMENT IN EMERGENCY RESPONSE **US DOT #** **TOWED BY: COMPANY NAME**

INTERLOCK DEVICE EQUIPPED **HIT/SKIP UNIT** **# OCCUPANTS** 0 1 **VEHICLE WEIGHT GVWR/GCWR** 1 - ≤10K LBS. 2 - 10,001 - 26K LBS. 3 - >26K LBS. **HAZARDOUS MATERIAL** MATERIAL RELEASED PLACARD **CLASS #** **PLACARD ID #**



UNIT TYPE 0 4

1 - PASSENGER CAR 7 - MOTORCYCLE 2-WHEELED 12 - GOLF CART 18 - LIMO (LIVERY VEHICLE) 23 - PEDESTRIAN/SKATER
2 - PASSENGER VAN (MINIVAN) 8 - MOTORCYCLE 3-WHEELED 13 - SNOWMOBILE 19 - BUS (16+ PASSENGERS) 24 - WHEELCHAIR (ANY TYPE)
3 - SPORT UTILITY VEHICLE 9 - AUTOCYCLE 14 - SINGLE UNIT TRUCK 20 - OTHER VEHICLE 25 - OTHER NON-MOTORIST
4 - PICK UP 10 - MOPED OR MOTORIZED BICYCLE 15 - SEMI-TRACTOR 21 - HEAVY EQUIPMENT 26 - BICYCLE
5 - CARGO VAN 11 - ALL TERRAIN VEHICLE (ATV / UTV) 16 - FARM EQUIPMENT 22 - ANIMAL WITH RIDER OR ANIMAL-DRAWN VEHICLE 27 - TRAIN
6 - VAN (9-15 SEATS) 17 - MOTORHOME

of TRAILING UNITS

WAS VEHICLE OPERATING IN AUTONOMOUS MODE WHEN CRASH OCCURRED? 2 1 - YES 2 - NO 9 - OTHER / UNKNOWN **AUTONOMOUS MODE LEVEL** 0 0 - NO AUTOMATION 1 - DRIVER ASSISTANCE 2 - PARTIAL AUTOMATION 3 - CONDITIONAL AUTOMATION 4 - HIGH AUTOMATION 5 - FULL AUTOMATION 9 - UNKNOWN

SPECIAL FUNCTION 0 1

1 - NONE 6 - BUS - CHARTER/TOUR 11 - FIRE 16 - FARM 21 - MAIL CARRIER
2 - TAXI 7 - BUS - INTERCITY 12 - MILITARY 17 - MOWING 22 - OTHER / UNKNOWN
3 - ELECTRONIC RIDE SHARING 8 - BUS - SHUTTLE 13 - POLICE 18 - SNOW REMOVAL N
4 - SCHOOL TRANSPORT 9 - BUS - OTHER 14 - PUBLIC UTILITY 19 - TOWING
5 - BUS-TRANSIT/COMMUTER 10 - AMBULANCE 15 - CONSTRUCTION EQUIPMENT 20 - SAFETY SERVICE PATROL

CARGO BODY TYPE 0 1

1 - NO CARGO BODY TYPE / NOT APPLICABLE 3 - VEHICLE TOWING ANOTHER MOTOR VEHICLE 5 - INTERMODAL CONTAINER CHASSIS 8 - POLE 12 - CONCRETE MIXER
2 - BUS 4 - LOGGING 6 - CARGO VAN/ENCLOSED BOX 9 - CARGO TANK 13 - AUTO TRANSPORTER
7 - GRAIN/CHIPS/GRAVEL 10 - FLAT BED 14 - GARBAGE/REFUSE 19 - TOWING 99 - OTHER / UNKNOWN
11 - DUMP

VEHICLE DEFECTS

1 - TURN SIGNALS 4 - BRAKES 7 - WORN OR SLICK TIRES 9 - MOTOR TROUBLE 99 - OTHER / UNKNOWN
2 - HEAD LAMPS 5 - STEERING 8 - TRAILER EQUIPMENT DEFECTIVE 10 - DISABLED FROM PRIOR ACCIDENT
3 - TAIL LAMPS 6 - TIRE BLOWOUT

NON-MOTORIST LOCATION AT IMPACT 0 1

1 - INTERSECTION - MARKED CROSSWALK 3 - INTERSECTION - OTHER 6 - BICYCLE LANE 9 - MEDIAN/CROSSING ISLAND 12 - FIRST RESPONDER AT INCIDENT SCENE
2 - INTERSECTION - UNMARKED 4 - MIDBLOCK - MARKED CROSSWALK 7 - SHOULDER/ROADSIDE 10 - DRIVEWAY ACCESS 14 - GARBAGE/REFUSE 19 - OTHER / UNKNOWN
5 - TRAVEL LANE-OTHER LOCATION 8 - SIDEWALK 11 - SHARED USE PATHS OR TRAILS 99 - OTHER / UNKNOWN

ACTION 0 1

1 - NON-CONTACT 1 - STRAIGHT AHEAD 7 - MAKING U-TURN 13 - NEGOTIATING A CURVE 18 - APPROACHING OR LEAVING VEHICLE OR LEAVING VEHICLE
2 - NON-COLLISION 2 - BACKING 8 - ENTERING TRAFFIC LANE 14 - ENTERING OR CROSSING SPECIFIED LOCATION 19 - STANDING
3 - STRIKING 3 - CHANGING LANES 9 - LEAVING TRAFFIC LANE 15 - WALKING, RUNNING, JOGGING, PLAYING 20 - OTHER NON-MOTORIST
4 - STRUCK 4 - OVERTAKING/PASSING 10 - PARKED 16 - WORKING 21 - STANDING OUTSIDE DISABLED VEHICLE
5 - BOTH STRIKING & STRUCK 5 - MAKING RIGHT TURN 11 - SLOWING OR STOPPED IN TRAFFIC 17 - PUSHING VEHICLE 99 - OTHER / UNKNOWN
9 - OTHER / UNKNOWN 6 - MAKING LEFT TURN 12 - DRIVERLESS

INITIAL POINT OF CONTACT

0 2 0 - NO DAMAGE 14 - UNDERCARRIAGE
1-12 - REFER TO UNIT DIAGRAM 15 - VEHICLE NOT AT SCENE 99 - UNKNOWN

CONTRIBUTING CIRCUMSTANCES 0 1

1 - NONE 7 - LEFT OF CENTER 13 - IMPROPER START FROM A PARKED POSITION 17 - VISION OBSTRUCTION 21 - LYING IN ROADWAY
2 - FAILURE TO YIELD 8 - FOLLOWING TOO CLOSE/ACDA 14 - STOPPED OR PARKED ILLEGALLY 18 - OPERATING DEFECTIVE EQUIPMENT 22 - NOT DISCERNABLE
3 - RAN RED LIGHT 9 - IMPROPER LANE CHANGING 15 - SWERVING TO AVOID 19 - LOAD SHIFTING/ FALLING/SPILLING 23 - OPENING DOOR INTO ROADWAY
4 - RAN STOP SIGN 10 - IMPROPER PASSING 16 - WRONG WAY 20 - IMPROPER CROSSING 99 - OTHER IMPROPER ACTION
5 - UNSAFE SPEED 11 - DROVE OFF ROAD
6 - IMPROPER TURN 12 - IMPROPER BACKING

TRAFFIC

TRAFFICWAY FLOW 2 1 - ONE-WAY 2 - TWO-WAY

TRAFFIC CONTROL 6 1 - ROUNDABOUT 4 - STOP SIGN
2 - SIGNAL 5 - YIELD SIGN
3 - FLASHER 6 - NO CONTROL

SEQUENCE OF EVENTS

EVENTS

1 1 4 1 - OVERTURN/ROLLOVER 6 - EQUIPMENT FAILURE 11 - CROSS CENTERLINE - OPPOSITE DIRECTION OF TRAVEL 16 - RAILWAY VEHICLE 22 - WORK ZONE MAINTENANCE EQUIPMENT
2 2 2 - FIRE/EXPLOSION 7 - SEPARATION OF UNITS 17 - ANIMAL - FARM 18 - ANIMAL - DEER 19 - ANIMAL - OTHER 20 - MOTOR VEHICLE IN TRANSPORT 21 - PARKED MOTOR VEHICLE 24 - OTHER MOVABLE
3 3 3 - IMMERSION 8 - RAN OFF ROAD RIGHT 9 - RAN OFF ROAD LEFT 10 - CROSS MEDIAN 12 - DOWNHILL RUNAWAY 13 - OTHER NON-COLLISION 14 - PEDESTRIAN 15 - PEDALCYCLE

OF THROUGH LANES ON ROAD 2

RAIL GRADE CROSSING 1 1 - NOT INVOLVED 2 - INVOLVED - ACTIVE CROSSING 3 - INVOLVED - PASSIVE CROSSING

COLLISION WITH FIXED OBJECT - STRUCK

25 - IMPACT ATTENUATOR / CRASH CUSHION 31 - GUARDRAIL END 37 - TRAFFIC SIGN POST 43 - CURB 50 - WORKZONE MAINTENANCE EQUIPMENT
26 - BRIDGE OVERHEAD STRUCTURE 32 - PORTABLE BARRIER 38 - OVERHEAD SIGN POST 44 - DITCH 51 - WALL
27 - BRIDGE PIER OR ABUTMENT 33 - MEDIAN CABLE BARRIER 39 - LIGHT/LUMINARIES SUPPORT 45 - EMBANKMENT 52 - BUILDING
28 - BRIDGE PARAPET 34 - MEDIAN GUARDRAIL BARRIER 40 - UTILITY POLE 46 - FENCE 53 - TUNNEL
29 - BRIDGE RAIL 35 - MEDIAN CONCRETE BARRIER 41 - OTHER POST, POLE OR SUPPORT 47 - MAILBOX 54 - OTHER FIXED OBJECT
30 - GUARDRAIL FACE 36 - MEDIAN OTHER BARRIER 42 - CULVERT 48 - TREE 55 - OTHER / UNKNOWN 99 - OTHER / UNKNOWN 49 - FIRE HYDRANT

UNIT / NON-MOTORIST DIRECTION

FROM 2 TO 1

1 - NORTH 5 - NORTHEAST
2 - SOUTH 6 - NORTHWEST
3 - EAST 7 - SOUTHEAST
4 - WEST 8 - SOUTHWEST

FIRST HARMFUL EVENT 1 **MOST HARMFUL EVENT** 1

UNIT SPEED 5 **DETECTED SPEED** 1 1 - STATED/ESTIMATED SPEED 2 - CALCULATED / EDR 3 - UNDETERMINED

POSTED SPEED 2 5

MOTORIST / NON-MOTORIST

LOCAL REPORT NUMBER
2 0 2 1 2 5 4 2

UNIT # 0 1	NAME: LAST, FIRST, MIDDLE Jones Amir		DATE OF BIRTH 1 1 2 0 2 0 1 4		AGE 6	GENDER M			
ADDRESS: STREET, CITY, STATE, ZIP 5283 E 126 ST 202 GARFIELD HTS OH 44125				CONTACT PHONE - INCLUDE AREA CODE					
INJURIES 4	INJURED TAKEN BY 9	EMS AGENCY (NAME)	INJURED TAKEN TO: MEDICAL FACILITY (NAME, CITY)	SAFETY EQUIPMENT USED 0 1	<input type="checkbox"/> DOT-COMPLIANT MC HELMET	SEATING POSITION 1 5	AIR BAG USAGE	EJECTION	TRAPPED
OL STATE	OPERATOR LICENSE NUMBER	OFFENSE CHARGED	LOCAL CODE <input type="checkbox"/>	OFFENSE DESCRIPTION	CITATION NUMBER				
OL CLASS	ENDORSEMENT SELECT UP TO 2	RESTRICTION SELECT UP TO 3	DRIVER DISTRACTED BY	ALCOHOL / DRUG SUSPECTED <input type="checkbox"/> ALCOHOL <input type="checkbox"/> MARIJUANA <input type="checkbox"/> OTHER DRUG	CONDITION 1	STATUS 1	ALCOHOL TEST TYPE VALUE STATUS TYPE RESULT SELECT UP TO 4	DRUG TEST(S)	

UNIT # 0 2	NAME: LAST, FIRST, MIDDLE MONDAY ANGELO		DATE OF BIRTH 0 9 2 3 1 9 8 5		AGE 35	GENDER M			
ADDRESS: STREET, CITY, STATE, ZIP 3409 E 147TH ST APT CLEVELAND OH 44120				CONTACT PHONE - INCLUDE AREA CODE					
INJURIES 5	INJURED TAKEN BY	EMS AGENCY (NAME)	INJURED TAKEN TO: MEDICAL FACILITY (NAME, CITY)	SAFETY EQUIPMENT USED 0 4	<input type="checkbox"/> DOT-COMPLIANT MC HELMET	SEATING POSITION 0 1	AIR BAG USAGE 1	EJECTION 1	TRAPPED 1
OL STATE OH	OPERATOR LICENSE NUMBER	OFFENSE CHARGED	LOCAL CODE <input type="checkbox"/>	OFFENSE DESCRIPTION	CITATION NUMBER				
OL CLASS 4	ENDORSEMENT SELECT UP TO 2	RESTRICTION SELECT UP TO 3	DRIVER DISTRACTED BY 1	ALCOHOL / DRUG SUSPECTED <input type="checkbox"/> ALCOHOL <input type="checkbox"/> MARIJUANA <input type="checkbox"/> OTHER DRUG	CONDITION 1	STATUS 1	ALCOHOL TEST TYPE VALUE STATUS TYPE RESULT SELECT UP TO 4	DRUG TEST(S)	

UNIT #	NAME: LAST, FIRST, MIDDLE		DATE OF BIRTH		AGE	GENDER			
ADDRESS: STREET, CITY, STATE, ZIP				CONTACT PHONE - INCLUDE AREA CODE					
INJURIES	INJURED TAKEN BY	EMS AGENCY (NAME)	INJURED TAKEN TO: MEDICAL FACILITY (NAME, CITY)	SAFETY EQUIPMENT USED	<input type="checkbox"/> DOT-COMPLIANT MC HELMET	SEATING POSITION	AIR BAG USAGE	EJECTION	TRAPPED
OL STATE	OPERATOR LICENSE NUMBER	OFFENSE CHARGED	LOCAL CODE	OFFENSE DESCRIPTION	CITATION NUMBER				
OL CLASS	ENDORSEMENT SELECT UP TO 2	RESTRICTION SELECT UP TO 3	DRIVER DISTRACTED BY	ALCOHOL / DRUG SUSPECTED ALCOHOL MARIJUANA OTHER DRUG	CONDITION	STATUS	ALCOHOL TEST TYPE VALUE STATUS TYPE RESULT SELECT UP TO 4	DRUG TEST(S)	

INJURIES	SEATING POSITION	AIR BAG	OL CLASS	OL RESTRICTION(S)	DRIVER DISTRACTION	TEST STATUS
1 - FATAL	1 - FRONT - LEFT SIDE (MOTORCYCLE DRIVER)	1 - NOT DEPLOYED	1 - CLASS A	1 - ALCOHOL INTERLOCK DEVICE	1 - NOT DISTRACTED	1 - NONE GIVEN
2 - SUSPECTED SERIOUS INJURY	2 - FRONT - MIDDLE	2 - DEPLOYED FRONT	2 - CLASS B	2 - CDL INTRASTATE ONLY	2 - MANUALLY OPERATING AN ELECTRONIC COMMUNICATION DEVICE (TEXTING, TYPING, DIALING)	2 - TEST REFUSED
3 - SUSPECTED MINOR INJURY	3 - FRONT - RIGHT SIDE	3 - DEPLOYED SIDE	3 - CLASS C	3 - CORRECTIVE LENSES	3 - TALKING ON HANDS-FREE COMMUNICATION DEVICE	3 - TEST GIVEN, CONTAMINATED SAMPLE / UNUSABLE
4 - POSSIBLE INJURY	4 - SECOND - LEFT SIDE (MOTORCYCLE PASSENGER)	4 - DEPLOYED BOTH FRONT / SIDE	4 - REGULAR CLASS (OHIO = D)	4 - FARM WAIVER	4 - TALKING ON HAND-HELD COMMUNICATION DEVICE	4 - TEST GIVEN, RESULTS KNOWN
5 - NO APPARENT INJURY	5 - SECOND - MIDDLE	5 - NOT APPLICABLE	5 - M / C MOPED ONLY	5 - EXCEPT CLASS A BUS & CLASS B BUS	5 - OTHER ACTIVITY WITH AN ELECTRONIC DEVICE	5 - TEST GIVEN, RESULTS UNKNOWN
INJURED TAKEN BY	6 - SECOND - RIGHT SIDE	9 - DEPLOYMENT UNKNOWN	6 - NO VALID OL	7 - EXCEPT TRACTOR-TRAILER	6 - PASSENGER	ALCOHOL TEST TYPE
1 - NOT TRANSPORTED / TREATED AT SCENE	7 - THIRD - LEFT SIDE (MOTORCYCLE SIDE CAR)	EJECTION	OL ENDORSEMENT	8 - INTERMEDIATE LICENSE RESTRICTIONS	7 - OTHER DISTRACTION INSIDE THE VEHICLE	1 - NONE
2 - EMS	8 - THIRD - MIDDLE	1 - NOT EJECTED	H - HAZMAT	9 - LEARNER'S PERMIT RESTRICTIONS	8 - OTHER DISTRACTIONS OUTSIDE THE VEHICLE	2 - BLOOD
3 - POLICE	9 - THIRD - RIGHT SIDE	2 - PARTIALLY EJECTED	M - MOTORCYCLE	10 - LIMITED TO DAYLIGHT ONLY	9 - OTHER / UNKNOWN	3 - URINE
9 - OTHER / UNKNOWN	10 - SLEEPER SECTION OF TRUCK CAB	3 - TOTALLY EJECTED	P - PASSENGER	11 - LIMITED TO EMPLOYMENT	CONDITION	4 - BREATH
SAFETY EQUIPMENT	11 - PASSENGER IN OTHER ENCLOSED CARGO AREA (NON-TRAILING UNIT, BUS, PICK-UP WITH CAP)	4 - NOT APPLICABLE	N - TANKER	12 - LIMITED - OTHER	1 - APPARENTLY NORMAL	DRUG TEST TYPE
1 - NONE USED	12 - PASSENGER IN UNENCLOSED CARGO AREA	TRAPPED	Q - MOTOR SCOOTER	13 - MECHANICAL DEVICES (SPECIAL BRAKES, HAND CONTROLS, OR OTHER ADAPTIVE DEVICES)	2 - PHYSICAL IMPAIRMENT	1 - NONE
2 - SHOULDER BELT ONLY USED	13 - TRAILING UNIT	1 - NOT TRAPPED	R - THREE-WHEEL MOTORCYCLE	14 - MILITARY VEHICLES ONLY	3 - EMOTIONAL (E.G. DEPRESSED, ANGRY, DISTURBED)	2 - BLOOD
3 - LAP BELT ONLY USED	14 - RIDING ON VEHICLE EXTERIOR (NON-TRAILING UNIT)	2 - EXTRICATED BY MECHANICAL MEANS	S - SCHOOL BUS	15 - MOTOR VEHICLES WITHOUT AIR BRAKES	4 - ILLNESS	3 - URINE
4 - SHOULDER & LAP BELT USED	15 - NON-MOTORIST	3 - FREED BY NON-MECHANICAL MEANS	T - DOUBLE & TRIPLE TRAILERS	16 - OUTSIDE MIRROR	5 - FELL ASLEEP, FAINTED, FATIGUED, ETC.	4 - OTHER
5 - CHILD RESTRAINT SYSTEM - FORWARD FACING	99 - OTHER / UNKNOWN		X - TANKER / HAZMAT	17 - PROSTHETIC AID	6 - UNDER THE INFLUENCE OF MEDICATIONS / DRUGS / ALCOHOL	DRUG TEST RESULT(S)
6 - CHILD RESTRAINT SYSTEM - REAR FACING			GENDER	18 - OTHER	9 - OTHER / UNKNOWN	1 - AMPHETAMINES
7 - BOOSTER SEAT			F - FEMALE			2 - BARBITURATES
8 - HELMET USED			M - MALE			3 - BENZODIAZEPINES
9 - PROTECTIVE PADS USED (ELBOWS, KNEES, ETC.)			U - OTHER/UNKNOWN			4 - CANNABINOIDS
10 - REFLECTIVE CLOTHING						5 - COCAINE
11 - LIGHTING - PEDESTRIAN / BICYCLE ONLY						6 - OPIATES / OPIOIDS
99 - OTHER / UNKNOWN						7 - OTHER
						8 - NEGATIVE RESULTS

LOCAL REPORT NUMBER

2 | 0 | 2 | 1 | 2 | 5 | 4 | 2

OCCUPANT	UNIT #	NAME: LAST, FIRST, MIDDLE			DATE OF BIRTH		AGE	GENDER	
	ADDRESS: STREET, CITY, STATE, ZIP				CONTACT PHONE - INCLUDE AREA CODE				
	INJURIES	INJURED TAKEN BY	EMS AGENCY (NAME)	INJURED TAKEN TO: MEDICAL FACILITY (NAME, CITY)	SAFETY EQUIPMENT USED	<input type="checkbox"/> DOT-COMPLIANT MC HELMET	SEATING POSITION	AIR BAG USAGE	EJECTION
OCCUPANT	UNIT #	NAME: LAST, FIRST, MIDDLE			DATE OF BIRTH		AGE	GENDER	
	ADDRESS: STREET, CITY, STATE, ZIP				CONTACT PHONE - INCLUDE AREA CODE				
	INJURIES	INJURED TAKEN BY	EMS AGENCY (NAME)	INJURED TAKEN TO: MEDICAL FACILITY (NAME, CITY)	SAFETY EQUIPMENT USED	<input type="checkbox"/> DOT-COMPLIANT MC HELMET	SEATING POSITION	AIR BAG USAGE	EJECTION
OCCUPANT	UNIT #	NAME: LAST, FIRST, MIDDLE			DATE OF BIRTH		AGE	GENDER	
	ADDRESS: STREET, CITY, STATE, ZIP				CONTACT PHONE - INCLUDE AREA CODE				
	INJURIES	INJURED TAKEN BY	EMS AGENCY (NAME)	INJURED TAKEN TO: MEDICAL FACILITY (NAME, CITY)	SAFETY EQUIPMENT USED	<input type="checkbox"/> DOT-COMPLIANT MC HELMET	SEATING POSITION	AIR BAG USAGE	EJECTION
OCCUPANT	UNIT #	NAME: LAST, FIRST, MIDDLE			DATE OF BIRTH		AGE	GENDER	
	ADDRESS: STREET, CITY, STATE, ZIP				CONTACT PHONE - INCLUDE AREA CODE				
	INJURIES	INJURED TAKEN BY	EMS AGENCY (NAME)	INJURED TAKEN TO: MEDICAL FACILITY (NAME, CITY)	SAFETY EQUIPMENT USED	<input type="checkbox"/> DOT-COMPLIANT MC HELMET	SEATING POSITION	AIR BAG USAGE	EJECTION

INJURIES	SAFETY EQUIPMENT USED	SEATING POSITION	AIR BAG USAGE
1 - FATAL 2 - SUSPECTED SERIOUS INJURY 3 - SUSPECTED MINOR INJURY 4 - POSSIBLE INJURY 5 - NO APPARENT INJURY	1 - NONE USED - VEHICLE OCCUPANT 2 - SHOULDER BELT ONLY USED 3 - LAP BELT ONLY USED 4 - SHOULDER & LAP BELT USED 5 - CHILD RESTRAINT SYSTEM - FORWARD FACING 6 - CHILD RESTRAINT SYSTEM - REAR FACING 7 - BOOSTER SEAT 8 - HELMET USED 9 - PROTECTIVE PADS USED (ELBOWS, KNEES, ETC.) 10 - REFLECTIVE CLOTHING 11 - LIGHTING - PEDESTRIAN / BICYCLE ONLY 99 - OTHER / UNKNOWN	1 - FRONT - LEFT SIDE (MOTORCYCLE DRIVER) 2 - FRONT - MIDDLE 3 - FRONT - RIGHT SIDE 4 - SECOND - LEFT SIDE (MOTORCYCLE PASSENGER) 5 - SECOND - MIDDLE 6 - SECOND - RIGHT SIDE 7 - THIRD - LEFT SIDE (MOTORCYCLE SIDE CAR) 8 - THIRD - MIDDLE 9 - THIRD - RIGHT SIDE 10 - SLEEPER SECTION OF TRUCK CAB 11 - PASSENGER IN OTHER ENCLOSED CARGO AREA (NON-TRAILING UNIT, BUS, PICK-UP WITH CAP) 12 - PASSENGER IN UNENCLOSED CARGO AREA 13 - TRAILING UNIT 14 - RIDING ON VEHICLE EXTERIOR (NON-TRAILING UNIT) 15 - NON-MOTORIST 99 - OTHER / UNKNOWN	1 - NOT DEPLOYED 2 - DEPLOYED FRONT 3 - DEPLOYED SIDE 4 - DEPLOYED BOTH FRONT/SIDE 5 - NOT APPLICABLE 9 - DEPLOYMENT UNKNOWN
INJURED TAKEN BY			EJECTION
1 - NOT TRANSPORTED / TREATED AT SCENE 2 - EMS 3 - POLICE 9 - OTHER / UNKNOWN			1 - NOT EJECTED 2 - PARTIALLY EJECTED 3 - TOTALLY EJECTED 4 - NOT APPLICABLE
GENDER			TRAPPED
F - FEMALE M - MALE U - OTHER/UNKNOWN			1 - NOT TRAPPED 2 - EXTRICATED BY MECHANICAL MEANS 3 - FREED BY NON-MECHANICAL MEANS

WITNESS	NAME: LAST, FIRST, MIDDLE	THOMAS J MURPHY			DATE OF BIRTH		AGE	GENDER	
	ADDRESS: STREET, CITY, STATE, ZIP	5555 TURNEY RD 418 GARFIELD HTS OH 44125					CONTACT PHONE - INCLUDE AREA CODE		
WITNESS	NAME: LAST, FIRST, MIDDLE				DATE OF BIRTH		AGE	GENDER	
	ADDRESS: STREET, CITY, STATE, ZIP						CONTACT PHONE - INCLUDE AREA CODE		
WITNESS	NAME: LAST, FIRST, MIDDLE				DATE OF BIRTH		AGE	GENDER	
	ADDRESS: STREET, CITY, STATE, ZIP						CONTACT PHONE - INCLUDE AREA CODE		